



# NGI RANGE OF **ACCESSORIES**

## FOR LEVELLING FEET



**NGI IS ABLE TO DELIVER ALL NECESSARY ACCESSORIES WHICH ENSURES A QUICK AND EASY INSTALLATION OF HYGIENIC COMPONENTS.**

**IN ADDITION TO SUPPLYING STANDARDIZED ACCESSORIES WE ARE ALSO ABLE TO SUPPLY CUSTOMIZED ACCESSORIES.**

# COMPONENTS ACCESSORIES

NGI is able to deliver all necessary accessories, which ensures a quick and easy installation of the levelling foot. In addition to supplying standardized accessories we are also able to supply customized accessories.



## CERTIFIED HYGIENIC DOME-HEADED NUT

- Certified in accordance with EHEDG hygienic standard TYPE EL - CLASS I AUX
- Minimizes cleaning time and water consumption
- Surfaces with a maximal roughness of 0,8 µm RA
- Available in sizes M6-M24
- Are delivered with all certified hygienic machine feet with floor fixing



292



## CERTIFIED HYGIENIC LOW-HEADED NUT

- Certified in accordance with EHEDG hygienic standard TYPE EL - CLASS I AUX
- Minimizes cleaning time and water consumption
- Surfaces with a maximal roughness of 0,8 µm RA
- Available in sizes M5-M24



294



## CERTIFIED HYGIENIC BOLT

- Certified in accordance with EHEDG hygienic standard TYPE EL - CLASS I AUX
- Minimizes cleaning time and water consumption
- Surfaces with a maximal roughness of 0,8 µm RA
- Available in sizes M5-M24



296



## CERTIFIED HYGIENIC TOP COVER

- Top cover with blue sealing detectable by scanning systems
- Ensures hygienic covering of the exposed top thread
- Minimum cleaning effort due to the self-draining design
- Available in standardized and customized dimensions

298



## CERTIFIED HYGIENIC FLANGES & ADAPTOR

- Add-on for the XHFV & ZHFVJ system
- Adaptor converts the size and type of the thread and extends the sleeve. It has blue sealings detectable by scanning systems.
- Flanges are squared or round and installed by bolting or welding. They are available in a large variety of sizes.

300



## NUTS & WASHERS

- Stainless steel AISI 304/A2, 1.4301
- Standard nuts (DIN 934)
- Standard counter nuts (DIN 439)
- Standard flat washers (DIN 125)
- Standard fender washers (DIN 9010)
- All dimensions available

304



## DOME-HEADED NUTS

- Stainless steel AISI 304/A2, 1.4301
- Standard dome-headed nuts (DIN 1587 A2)
- All dimensions available

306

# COMPONENTS ACCESSORIES

NGI is able to deliver all necessary accessories, which ensures a quick and easy installation of the levelling foot. In addition to supplying standardized accessories we are also able to supply customized accessories.



## WELDING PLATES

- Stainless steel AISI 304/A2, 1.4301
- Squared welding plates
- Round welding plates
- All dimensions available

308



## TRIPOD SUPPORT

- Conveyor support tripod
- Supports five tube diameters from Ø38.1 to Ø60.3
- Select three optional M16 levelling feet
- NGI recommends levelling foot M050-16-070

314



## NGI WRENCHES

XHJSE machine feet need three different wrenches for installation. NGI wrenches are laser cut and designed to fit NGI machine feet.

316



## PLASTIC BUSHINGS

- Squared plastic bushings
- Round plastic bushings
- Many dimensions available

310



## HILTI TOOLS

Hilti's seismic research includes detailed investigation of product performance under simulated seismic conditions and full-scale system testing.

318



## BIPOD SUPPORT

- Conveyor support bipod
- Supports five tube diameters from Ø38.1 to Ø60.3
- Select two optional M16 levelling feet
- NGI recommends levelling foot M050-16-070

312



## ANCHORS

- Stainless steel A4
- PROFIS software
- Base materials: concrete (cracked), concrete (uncracked), masonry (solid)

320

# CERTIFIED HYGIENIC NDXH

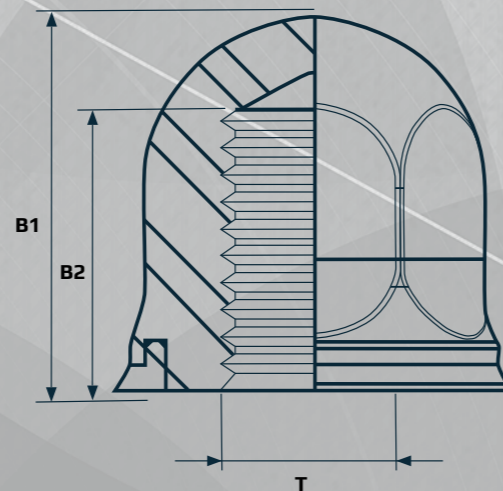
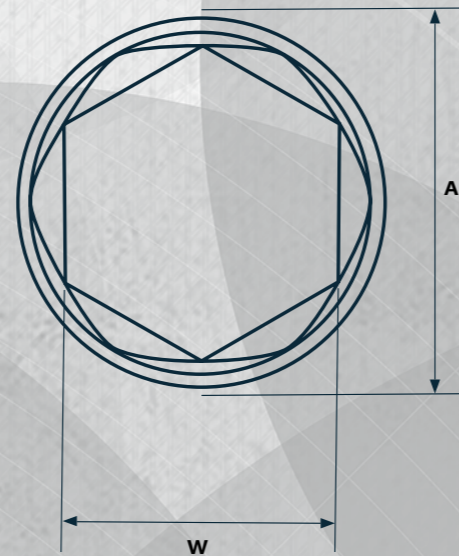


Certified hygienic nuts with blue silicone sealings is the right choice of nuts to be used on all machinery in all certified hygienic wash-down environments. The silicone seal blocks out water and bacteria and also prevents a non-hygienic metal-to-metal assembly. Round-headed and self-draining surfaces with a maximal roughness of 0.8  $\mu\text{m Ra}$ .

The design of the nuts does not deviate from the sizes of current standard nuts. Therefore, wrench sizes, thread heights etc. all remains the same making it very easy to upgrade and replace standard nuts. NGI's certified hygienic nuts are used for floor-mounting of certified hygienic levelling feet in order to ensure compliance with current legislation towards hygienic design.

The NDXH is used when the length of exposed bolt thread can vary.

- Certified in accordance with EHEDG hygienic standard TYPE EL - CLASS I AUX
- Minimizes cleaning time and water consumption
- Surfaces with a maximal roughness of 0,8  $\mu\text{m Ra}$
- Available in sizes M6-M24




# CERTIFIED HYGIENIC ACCESSORIES NDXH



## CERTIFIED HYGIENIC NUTS



THREAD T	TIGHTENING TORQUE [Nm]	TOTAL HEIGHT B1 [mm]	THREAD LENGTH B2 [mm]	 W [mm]	OUTER DIAMETER A [mm]	ITEM CODE
M06	3,3	13,6	10	10	12,8	NDXH-M06
M08	7,8	16,6	12	13	17,3	NDXH-M08
M10	15	19,9	15	16	21,1	NDXH-M10
M12	27	24,5	18	18	25,8	NDXH-M12
M16	65	31	23	24	31,9	NDXH-M16
M20	127	37	27	30	38,9	NDXH-M20
M24	220	46	34	36	46,1	NDXH-M24

# CERTIFIED HYGIENIC NLXH

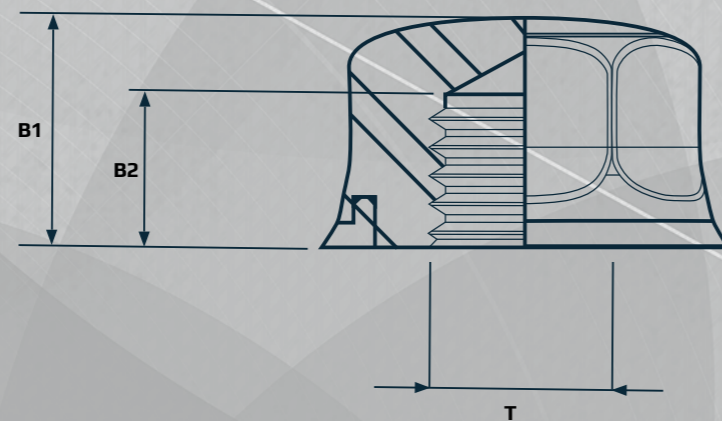
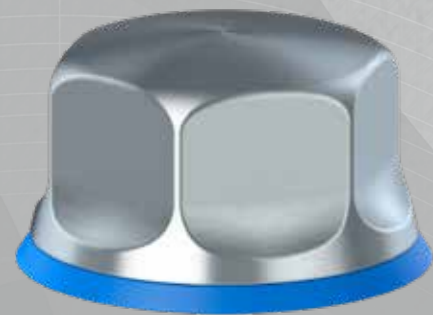
-  **CERTIFIED HYGIENIC**
-  **MINIMIZED CLEANING TIME**
-  **MINIMIZED WATER USAGE**

Certified hygienic nuts with blue silicone sealings is the right choice of nuts to be used on all machinery in all certified hygienic wash-down environments. The silicone seal blocks out water and bacteria and also prevents a non-hygienic metal-to-metal assembly. Round-headed and self-draining surfaces with a maximal roughness of 0.8 µm Ra.

The design of the nuts does not deviate from the sizes of current standard nuts. Therefore, wrench sizes, thread heights etc. all remains the same making it very easy to upgrade and replace standard nuts. NGI's certified hygienic nuts are used for floor-mounting of certified hygienic levelling feet in order to ensure compliance with current legislation towards hygienic design.

The NLXH is used when the length of exposed bolt thread is adapted to the nut's B2 measurement.

- Certified in accordance with EHEDG hygienic standard TYPE EL - CLASS I AUX
- Minimizes cleaning time and water consumption
- Surfaces with a maximal roughness of 0,8 µm Ra
- Available in sizes M5-M24




# CERTIFIED HYGIENIC ACCESSORIES NLXH



## CERTIFIED HYGIENIC NUTS



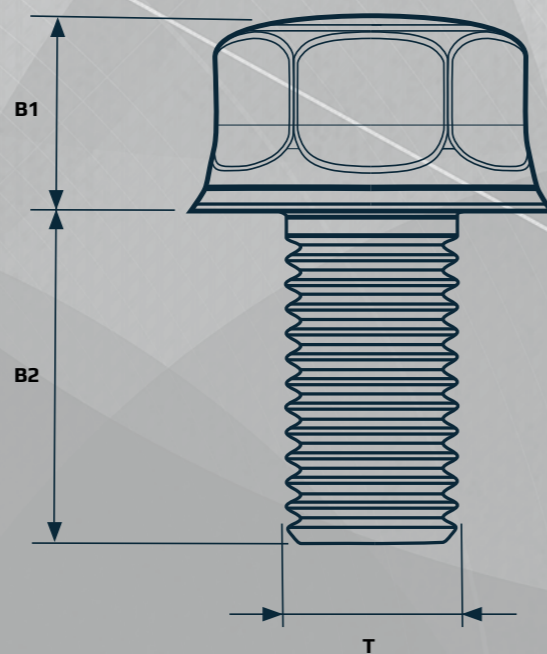
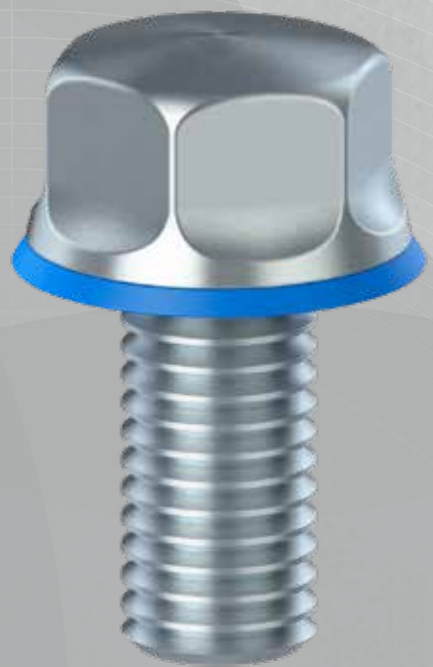
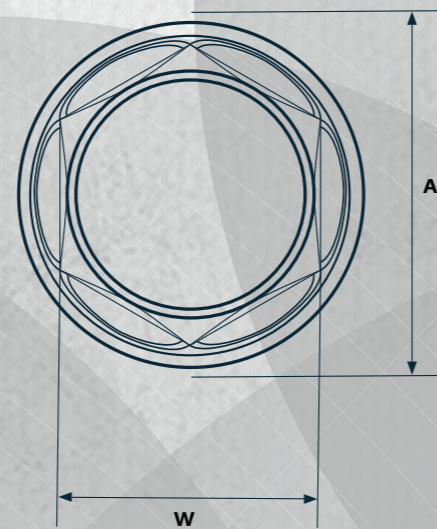
THREAD T	TIGHTENING TORQUE [Nm]	TOTAL HEIGHT B1 [mm]	THREAD LENGTH B2 [mm]	 W [mm]	OUTER DIAMETER A [mm]	ITEM CODE
M05	1,9	6,5	4,5	8	11,5	NLXH-M05
M06	3,3	8	5,5	10	12,8	NLXH-M06
M08	7,8	10	6,5	13	17,3	NLXH-M08
M10	15	12	8	16	21,1	NLXH-M10
M12	27	14	9	18	25,8	NLXH-M12
M16	65	17	10,5	24	31,9	NLXH-M16
M20	127	20	13	30	38,9	NLXH-M20
M24	220	22	14	36	46,1	NLXH-M24

# CERTIFIED HYGIENIC BXH

NGI is now able to offer certified hygienic bolts with blue silicone sealings. The silicone seal blocks out water and bacteria and also prevents a non-hygienic metal-to-metal assembly.

The bolts have self-draining surfaces with a maximal roughness of 0.8 µm Ra. The design of the bolts does not deviate from the sizes of current standard bolts. Therefore, wrench sizes, thread heights etc. all remains the same making it very easy to upgrade and replace standard bolts. This is the right choice of bolts to be used on all machinery in all certified hygienic wash-down environments.

- Certified in accordance with EHEDG hygienic standard TYPE EL - CLASS I AUX
- Minimizes cleaning time and water consumption
- Surfaces with a maximal roughness of 0,8 µm Ra
- Available in sizes M5-M24



CERTIFIED  
HYGIENIC  
BOLTS



## CERTIFIED HYGIENIC ACCESSORIES BXH



THREAD T	TIGHTENING TORQUE [Nm]	HEAD HEIGHT	THREAD LENGTH	W [mm]	OUTER DIAMETER	ITEM CODE
		B1 [mm]	B2 [mm]		A [mm]	
M05	1,9	6,5	10	8	11,5	BXH-M05-10
M05	1,9	6,5	16	8	11,5	BXH-M05-16
M05	1,9	6,5	20	8	11,5	BXH-M05-20
M06	3,3	8	12	10	12,8	BXH-M06-12
M06	3,3	8	16	10	12,8	BXH-M06-16
M06	3,3	8	20	10	12,8	BXH-M06-20
M06	3,3	8	25	10	12,8	BXH-M06-25
M06	3,3	8	30	10	12,8	BXH-M06-30
M08	7,8	10	16	13	17,3	BXH-M08-16
M08	7,8	10	20	13	17,3	BXH-M08-20
M08	7,8	10	25	13	17,3	BXH-M08-25
M08	7,8	10	30	13	17,3	BXH-M08-30
M08	7,8	10	40	13	17,3	BXH-M08-40
M10	15	12	20	16	21,1	BXH-M10-20
M10	15	12	25	16	21,1	BXH-M10-25
M10	15	12	30	16	21,1	BXH-M10-30
M10	15	12	35	16	21,1	BXH-M10-35
M10	15	12	40	16	21,1	BXH-M10-40
M10	15	12	45	16	21,1	BXH-M10-45
M12	27	14	20	18	25,8	BXH-M12-20
M12	27	14	25	18	25,8	BXH-M12-25
M12	27	14	30	18	25,8	BXH-M12-30
M12	27	14	35	18	25,8	BXH-M12-35
M12	27	14	40	18	25,8	BXH-M12-40
M16	65	17	35	24	31,9	BXH-M16-35
M16	65	17	40	24	31,9	BXH-M16-40
M20	127	20	40	30	38,9	BXH-M20-40
M16	65	17	XX *)	24	31,9	BXH-M16-XX
M20	127	20	XX *)	30	38,9	BXH-M20-XX
M24	220	22	XX *)	36	46,1	BXH-M24-XX



\*) M16-M24 available xx length upon request.

# CERTIFIED HYGIENIC THOX

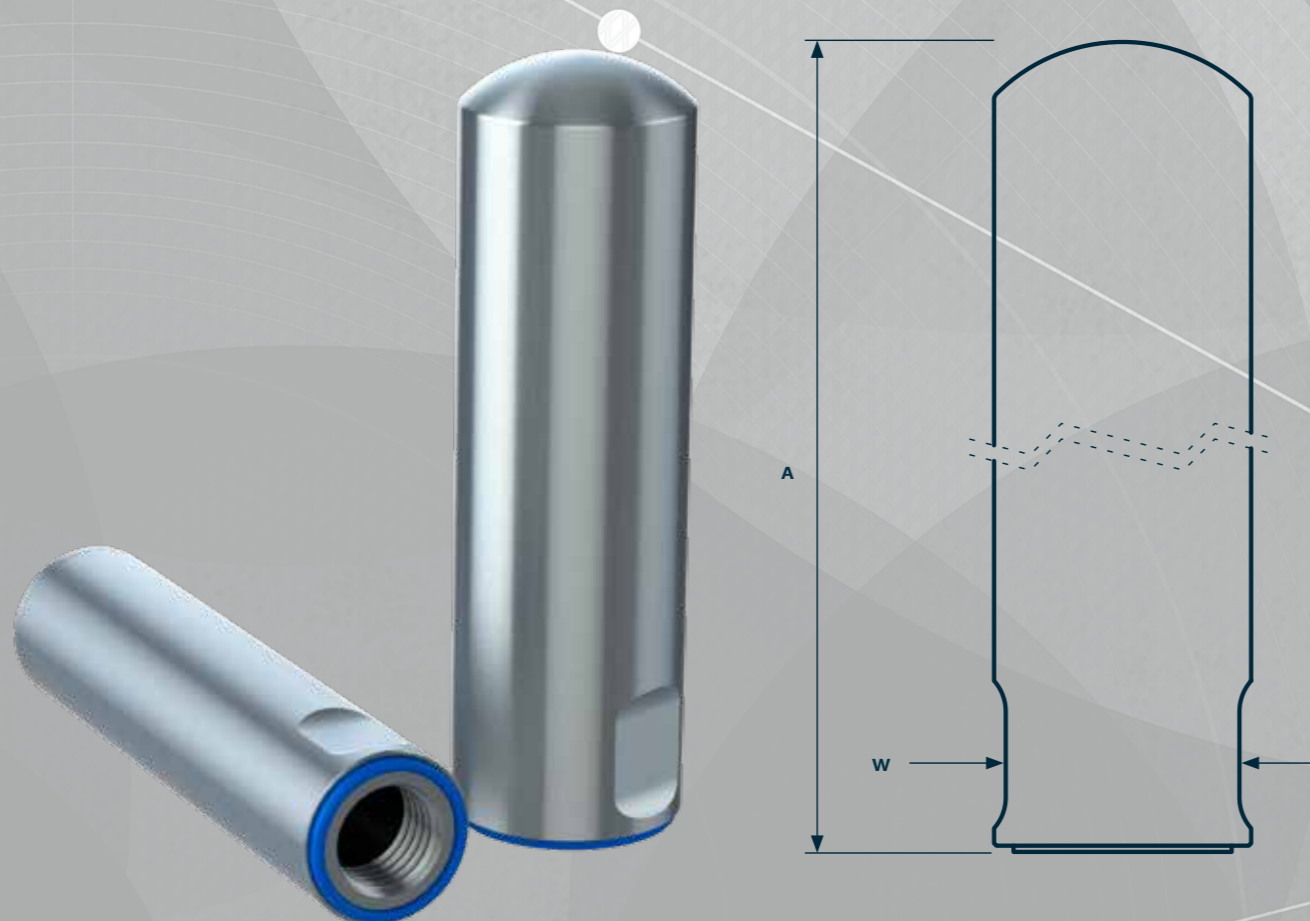


The top cover is designed to be used in situations where the top of the thread is exposed, which compromises the hygienic performance and certification of the levelling foot.

By applying the top cover the exposed thread is hygienically covered. The top cover can also function as counter nut.

The top cover is supplied with a blue sealing detectable by scanning systems and minimum cleaning effort is obtained due to the self-draining design.

Available in standardized and customized dimensions.



## CERTIFIED HYGIENIC ACCESSORIES THOX



THOX

THREAD	W [mm]	DIAMETER Ø [mm]	HEIGHT	ITEM CODE
			A [mm]	
M16	22	24,8	108	THOX16100
M20	27	29,7	109	THOX20100
M24	30	33	110	THOX24100
M30	36	39,5	111	THOX30100
M36	46	49,5	113	THOX36100
M42	52	55,5	114	THOX42100
M56	66	69,5	117	THOX56100



# CERTIFIED HYGIENIC WFRX + WFSX

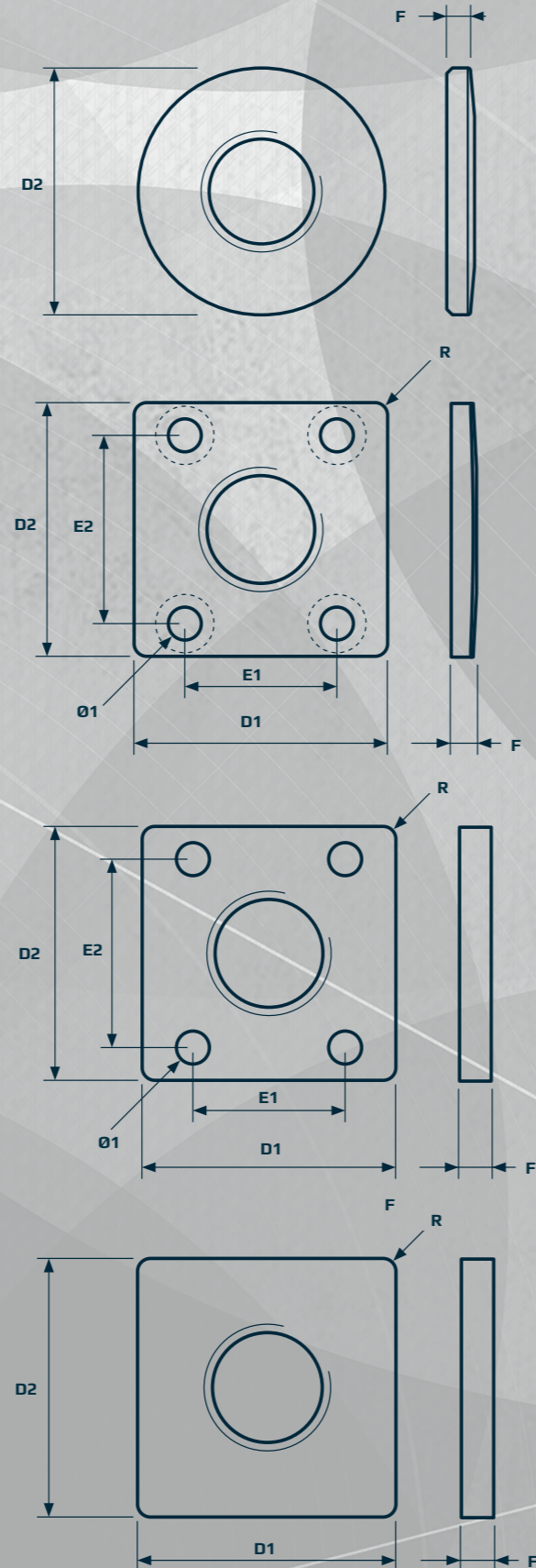
-  CERTIFIED HYGIENIC
-  MINIMIZED CLEANING TIME
-  MINIMIZED WATER USAGE

The flange is used when mounting the XHFV levelling feet into the machine or equipment.

Machinery and equipment requires different mounting and therefore the flange is available in several variations.

- Squared
- Round
- Large variety of sizes
- Install by bolting or welding

Customized sizes and shapes can be supplied by request.



## CERTIFIED HYGIENIC ACCESSORIES WFRX + WFSX



### ROUND - WELDING



CERTIFIED	DIAMETER $\varnothing$ [mm]	THICKNESS F [mm]	THREAD	ITEM CODE
YES	60,3	10	M44x2,0	WFRX060
YES	70,0	10	M44x2,0	WFRX070
YES	76,2	10	M44x2,0	WFRX076
YES	88,9	10	M44x2,0	WFRX089

### SQUARED - BOLTING



CERTIFIED	LENGHT D1 [mm]	WIDTH D2 [mm]	THICKNESS F [mm]	DISTANCE E1 [mm]	DISTANCE E2 [mm]	RADIUS R [mm]	HOLE $\varnothing1$ [mm]	THREAD	ITEM CODE
YES	100	100	10	74,2	60,0	5	13	M44x2,0	WFSX10010746013
YES	100	100	10	74,2	74,2	5	9	M44x2,0	WFSX10010747409

### SQUARED - BOLTING



CERTIFIED	LENGHT D1 [mm]	WIDTH D2 [mm]	THICKNESS F [mm]	DISTANCE E1 [mm]	DISTANCE E2 [mm]	RADIUS R [mm]	HOLE $\varnothing1$ [mm]	THREAD	ITEM CODE
NO	100	100	10	74,2	60,0	13	5	M44x2,0	WFSF10010746013
NO	100	100	10	74,2	74,2	9	5	M44x2,0	WFSF10010747409

### SQUARED - WELDING



CERTIFIED	LENGHT D1 [mm]	WIDTH D2 [mm]	THICKNESS F [mm]	RADIUS R [mm]	THREAD	ITEM CODE
NO	80	80	10	5	M44X2,0	WFSF080
NO	100	100	10	5	M44X2,0	WFSF100



Maximum nominal load for shown flanges 95.500 N  
Squared hygienic flanges must be installed with certified washers and bolts.  
Flat flanges are not 3-A-certified.

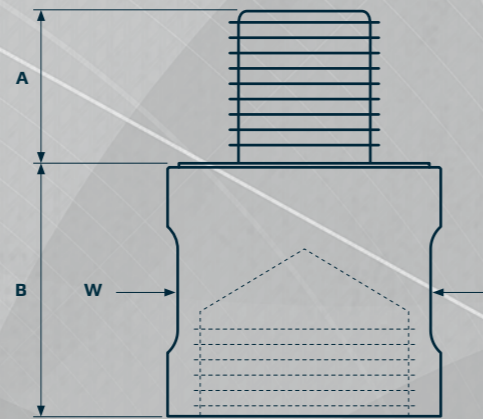
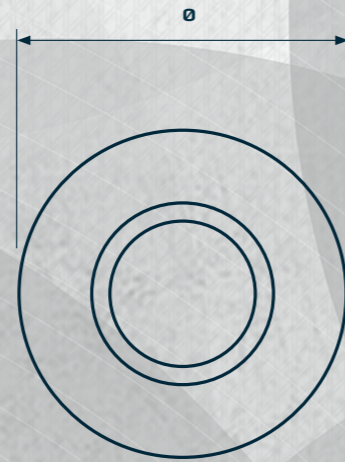




# CERTIFIED HYGIENIC AX

The thread adaptor is an add-on for the XHFV & ZHFVJ system. It converts the size and type of the thread and extends the sleeve. Furthermore, it is equipped with blue sealings detectable by scanning systems. Available in customized sizes.

-  CERTIFIED HYGIENIC
-  MINIMIZED CLEANING TIME
-  MINIMIZED WATER USAGE




# CERTIFIED HYGIENIC ACCESSORIES AX



## ADAPTOR



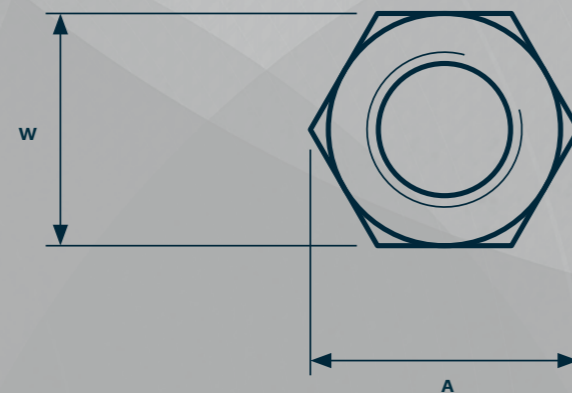
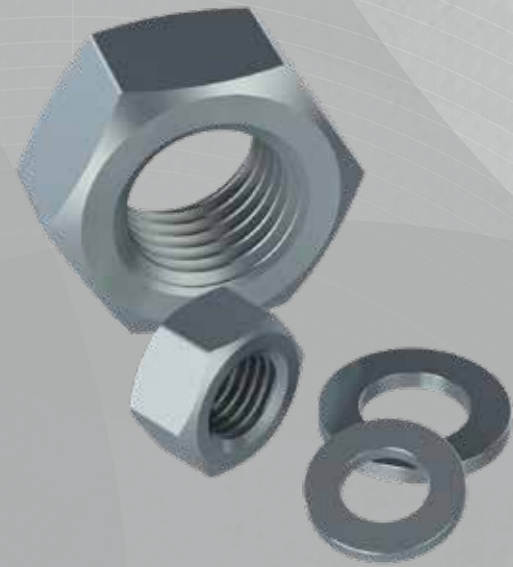
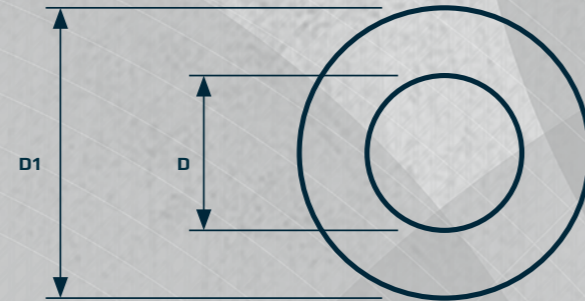
THREAD	 W [mm]	DIAMETER Ø [mm]	HEIGHT A [mm]	HEIGHT B [mm]	ITEM CODE
M20	50	54,5	20	50	AX2050
M24	50	54,5	24	50	AX2450
M30	50	54,5	30	50	AX3050
M36	50	54,5	36	50	AX3650
M42	50	54,5	42	50	AX4250
M44x2	50	54,5	10	50	AX4450



# ACCESSORIES

## NUTS & WASHERS

- Stainless steel AISI 304/A2, 1.4301
- Standard nuts (DIN 934)
- Standard counter nuts (DIN 439)
- Standard flat washers (DIN 125)
- Standard fender washers (DIN 9010)
- All dimensions available



# ACCESSORIES

## NUTS & WASHERS

### HEX NUTS DIN 934



THREAD	W [mm]	WIDTH A [mm]	HEIGHT B2 [mm]	ITEM CODE
M8	13	14,38	6,5	DIN 934 M8
M10	17	18,90	8	DIN 934 M10
M12	19	21,10	10	DIN 934 M12
M16	24	26,75	13	DIN 934 M16
M20	30	32,95	16	DIN 934 M20
M24	36	39,55	19	DIN 934 M24
M30	46	50,85	24	DIN 934 M30
M36	55	60,79	29	DIN 934 M36
M42	65	71,30	34	DIN 934 M42

### COUNTER NUTS DIN 439B



THREAD	W [mm]	WIDTH A [mm]	HEIGHT B2 [mm]	ITEM CODE
M8	13	14,38	4	DIN 439B M8
M10	17	18,90	5	DIN 439B M10
M12	19	21,10	6	DIN 439B M12
M16	24	26,75	8	DIN 439B M16
M20	30	32,95	10	DIN 439B M20
M24	36	39,55	12	DIN 439B M24
M30	46	50,85	15	DIN 439B M30
M36	55	60,79	18	DIN 439B M36

### FLAT WASHERS DIN 125A



INNER DIAMETER D [mm]	OUTER DIAMETER D1 [mm]	HEIGHT B1 [mm]	ITEM CODE
8	16	1,6	DIN 125A M8
10	20	2	DIN 125A M10
12	24	2,5	DIN 125A M12
16	30	3	DIN 125A M16
20	37	3	DIN 125A M20
24	44	3	DIN 125A M24
30	56	4	DIN 125A M30

### FENDER WASHERS DIN 9010

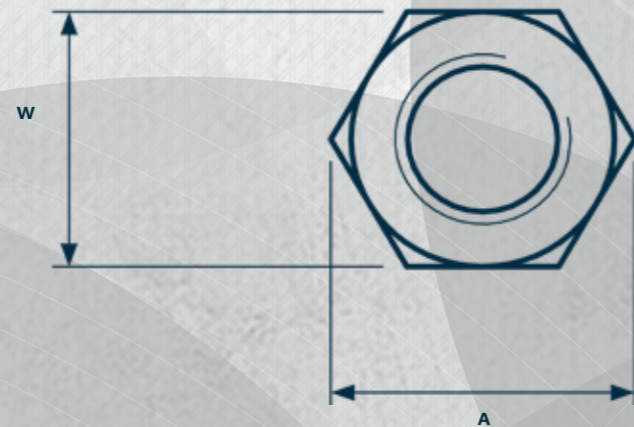


INNER DIAMETER D [mm]	OUTER DIAMETER D1 [mm]	HEIGHT B1 [mm]	ITEM CODE
8	24	2	DIN 9010 M8
10	30	2	DIN 9010 M10
12	33	3	DIN 9010 M12
16	50	3	DIN 9010 M16
20	60	4	DIN 9010 M20

# ACCESSORIES FOR LEVELLING FEET


## DOME-HEADED NUTS

- Stainless steel AISI 304/A2, 1.4301
- Standard dome-headed nuts (DIN 1587 A2)
- All dimensions available



### DOME-HEADED NUTS DIN 1587 A2



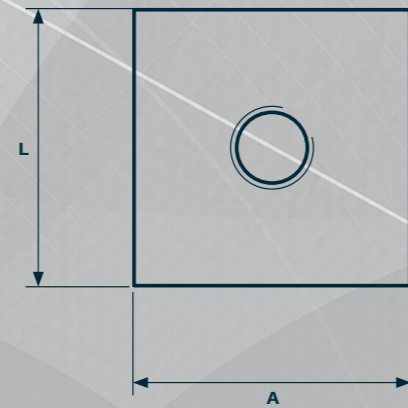
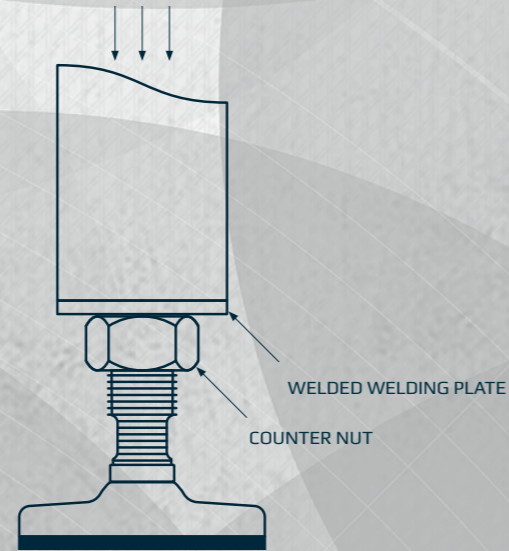
THREAD	DIN NORM	TOTAL HEIGHT	WRENCH HEIGHT	 W	OUTER DIAMETER	ITEM CODE
		B1 [mm]	B2 [mm]		A [mm]	
M10	DIN 1587 A2	17	8	17	18,90	DIN1587A2M10
M12	DIN 1587 A2	19	10	19	21,10	DIN1587A2M12
M16	DIN 1587 A2	24	13	24	26,75	DIN1587A2M16
M20	DIN 1587 A2	34	16	30	33,53	DIN1587A2M20
M24	DIN 1587 A2	42	19	36	39,98	DIN1587A2M24

# ACCESSORIES WELDING PLATES

The welding plates provide complete sealing of the tube after welding.  
The welding plates are available for rectangular and round tubes.

- Stainless steel AISI 304/A2, 1.4301
- Squared welding plates
- Round welding plates
- All dimensions available

VERTICAL LOAD IN NEWTON (N)



# ACCESSORIES WELDING PLATES

PRODUCT CODE TYPE - THREAD - PLATE  
EXAMPLE WPS - 38 - 2 X 2

## SQUARE



PLATE SIZE L x A [mm]	M8 [N]	M10 [N]	M12 [N]	M16 [N]	M20 [N]	M24 [N]
25 x 25	4.000	4.400	-	-	-	-
30 x 30	3.100	3.550	3.700	-	-	-
35 x 35	2.650	3.150	3.400	5.600	-	-
40 x 40	2.100	2.500	3.100	5.600	10.500	-
45 x 45	-	2.200	2.700	4.700	9.000	-
50 x 50	-	1.800	2.400	6.000	8.500	11.500
60 x 60	-	-	-	4.500	7.600	10.500
70 x 70	-	-	-	4.000	7.200	9.000
80 x 80	-	-	-	3.600	6.400	9.000
100 x 100	-	-	-	3.000	4.200	7.200
THICKNESS B [mm]	← 3 →			← 4 →		

## RECTANGLE



PLATE SIZE L x A [mm]	M8 [N]	M10 [N]	M12 [N]	M16 [N]	M20 [N]	M24 [N]
50 x 25	2.300	2.800	3.600	-	-	-
50 x 30	2.100	2.500	3.300	-	-	-
60 x 30	-	-	2.800	6.400	8.700	-
60 x 40	-	-	2.200	5.600	7.500	12.000
80 x 40	-	-	-	4.600	7.000	11.800
80 x 50	-	-	-	3.900	5.800	10.500
80 x 60	-	-	-	3.500	5.600	7.200
100 x 50	-	-	-	3.800	6.800	7.900
THICKNESS B [mm]	← 3 →			← 4 →		

PRODUCT CODE TYPE - THREAD - PLATE  
EXAMPLE WPR - 38 - 149

## ROUND



PLATE SIZE D [mm]	M8 [N]	M10 [N]	M12 [N]	M16 [N]	M20 [N]	M24 [N]
33	2.700	3.600	4.650	-	-	-
38	2.600	3.200	3.800	6.500	-	-
40	2.500	3.100	3.600	5.500	-	-
43	-	3.000	3.400	4.800	8.500	-
50	-	2.300	2.900	6.800	10.500	14.000
60	-	-	-	5.800	7.000	10.000
THICKNESS B [mm]	← 3 →			← 4 →		

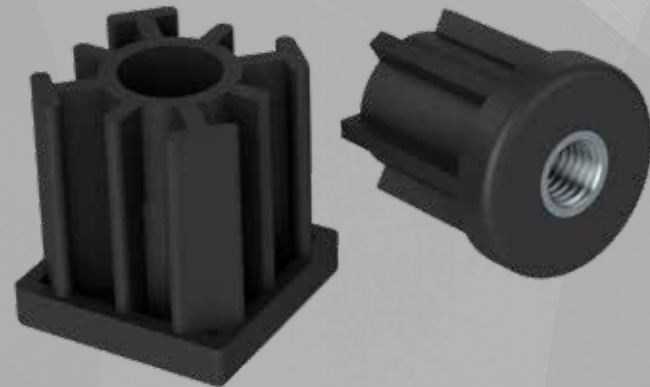
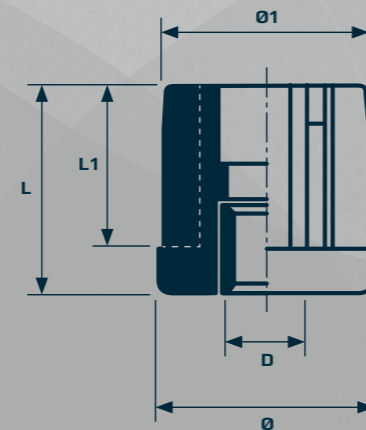
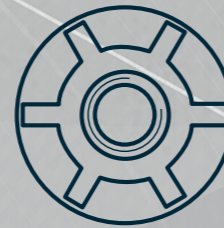
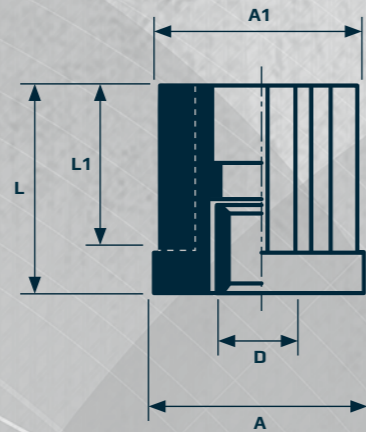


Values are based on 3D-Cad-Cosmos calculation, combined with practical test samples.  
Applied safety factor: 1,5

# ACCESSORIES

## PLASTIC BUSHINGS

- Squared plastic bushings
- Round plastic bushings
- Many dimensions available



# ACCESSORIES

## PLASTIC BUSHINGS

### SQUARE



THREAD D	EXTERNAL A [mm]	INTERNAL A1 [mm]	HEIGHT L [mm]	HEIGHT L1 [mm]	NOM LOAD COMPRESSION [N]	ITEM CODE
M10	30	27	33	27	5.000	PP30-10 1.5MM
M10	40	37	43	35	5.000	PP40-10 1.5MM
M12	30	27	33	27	5.000	PP30-12 1.5MM
M12	40	37	43	35	5.000	PP40-12 1.5MM
M16	30	27	33	27	5.000	PP30-16 1.5MM
M16	40	37	43	35	5.000	PP40-16 1.5MM
M16	40	36	43	35	5.000	PP40-16 2.0MM
M16	50	46	55	45	5.000	PP50-16 2.0MM
M16	50	45	55	45	5.000	PP50-16 2.5MM
M20	40	37	43	35	5.000	PP40-20 1.5MM
M20	40	36	43	35	5.000	PP40-20 2.0MM
M20	50	47	55	45	5.000	PP50-20 1.5MM
M20	50	46	55	45	5.000	PP50-20 2.0MM
M20	50	45	55	45	5.000	PP50-20 2.5MM

### ROUND



THREAD D	EXTERNAL Ø [mm]	INTERNAL Ø1 [mm]	HEIGHT L [mm]	HEIGHT L1 [mm]	NOM LOAD COMPRESSION [N]	ITEM CODE
M12	38,3	35,3	52	42	5.000	PP Ø38.3-M12 1.5MM
M16	38,3	35,3	52	42	5.000	PP Ø38.3-M16 1.5MM
M16	48,3	45,3	52	42	5.000	PP Ø48.3-M16 1.5MM
M16	60,3	57,3	62	52	5.000	PP Ø60.3-M16 1.5MM
M16	60,3	55,3	62	52	5.000	PP Ø60.3-M16 2.0MM
M20	48,3	45,3	52	42	5.000	PP Ø48.3-M20 1.5MM
M20	60,3	57,3	62	52	5.000	PP Ø60.3-M20 1.5MM
M20	60,3	55,3	62	52	5.000	PP Ø60.3-M20 2.5MM

# ACCESSORIES

## BIPOD SUPPORT

The bipod plastic base accepts five different standard tube sizes from Ø38.1 to Ø60.3. The tube leg is fixed with two bolts with spacers to ensure correct tightening. Select two optional M16 levelling feet. NGI recommends levelling foot M050-16-070.



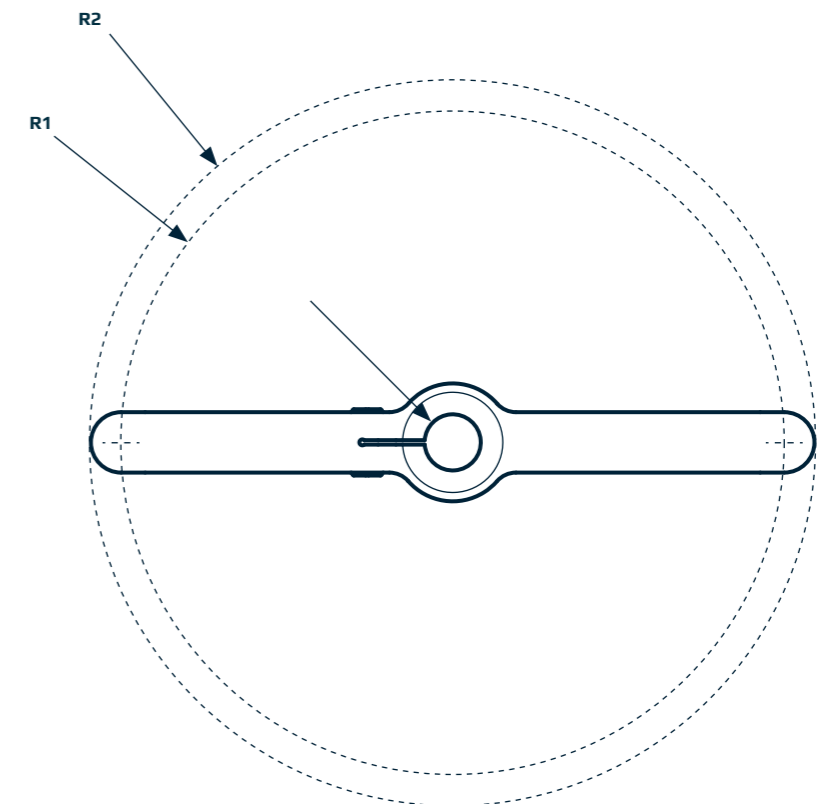
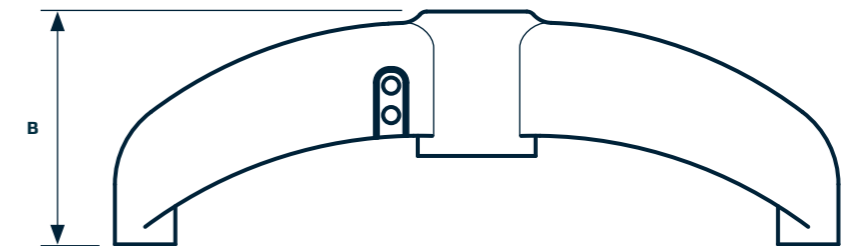
# ACCESSORIES

## BIPOD SUPPORT

### BIPOD SUPPORT



THREAD	DIAMETER D [mm]	MAX LOAD Ø1 [N]	DIAMETER D1 [mm]	LENGTH A [mm]	LENGTH B [mm]	DIAMETER M [mm]	R <sub>1</sub> [mm]	R <sub>2</sub> [mm]	ITEM CODE
M16	38,1	9.600	80	80	145	16	224	245	25B381
M16	42,4	9.600	80	80	145	16	224	245	25B424
M16	48,3	9.600	80	80	145	16	224	245	25B483
M16	50,6	9.600	80	80	145	16	224	245	25B506
M16	60,3	9.600	80	80	145	16	224	245	25B603



# ACCESSORIES

## TRIPOD SUPPORT

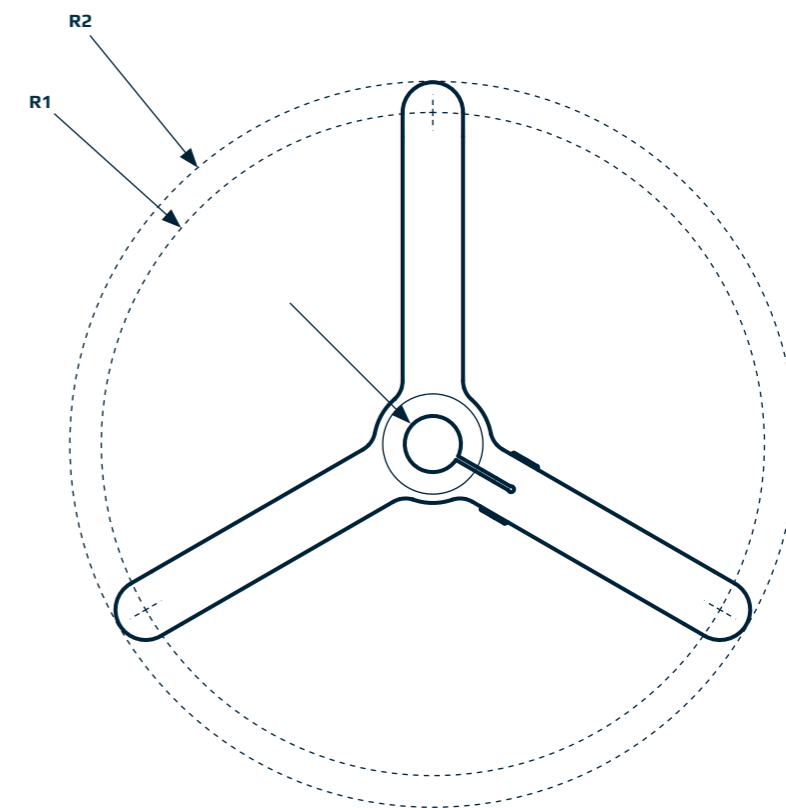
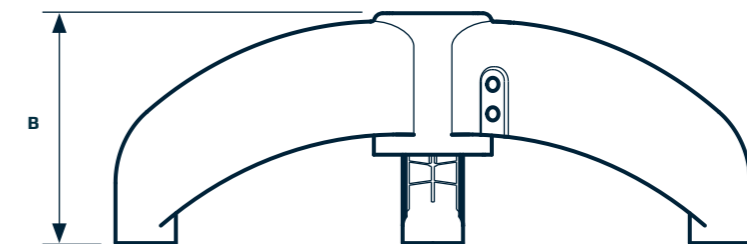
The tripod plastic base accepts five different standard tube sizes from Ø38.1 to Ø60.3  
 The tube leg is fixed with two bolts with spacers to ensure correct tightening.  
 Select three optional M16 levelling feet.  
 NGI recommends levelling foot M050-16-070.



# ACCESSORIES

## TRIPOD SUPPORT

TRIPOD SUPPORT	THREAD	DIAMETER	MAX LOAD	DIAMETER	LENGTH	LENGTH	DIAMETER	R <sub>1</sub>	R <sub>2</sub>	ITEM CODE
		D [mm]	Ø1 [N]	D1 [mm]	A [mm]	B [mm]	[mm]	[mm]	[mm]	
	M16	38,1	10.000	80	80	145	16	224	245	35B381
	M16	42,4	10.000	80	80	145	16	224	245	35B424
	M16	48,3	10.000	80	80	145	16	224	245	35B483
	M16	50,6	10.000	80	80	145	16	224	245	35B506
	M16	60,3	10.000	80	80	145	16	224	245	35B603



# ACCESSORIES

## NGI WRENCHES

XHJSE machine feet need three different wrenches for installation. NGI wrenches are laser cut and designed to fit NGI machine feet.

Please check the selection guide to see which sizes are needed for your respective model.

- W1: Spindle
- W2: Sleeve
- W3: Counter nut



# ACCESSORIES

## NGI WRENCHES

### NGI WRENCHES



W [mm]	LENGTH L [mm]	THICKNESS C [mm]	HEAD WIDTH B [mm]	ITEM CODE
22	195	10	46	WR22
27	240	10	56	WR27
32	274	10	67	WR32
36	303	10	74	WR36
41	343	10	85	WR41
50	413	10	102	WR50
55	457	10	113	WR55
60	492	10	122	WR60
65	528	10	132	WR65
75	608	10	152	WR75
80	644	10	162	WR80
85	690	10	174	WR85
90	690	10	174	WR90
95	850	10	195	WR95
100	1000	10	195	WR100

### SELECTION GUIDE

SPINDLE SIZE	W1 [mm]	W2 [mm]	W3 [mm]
M30	22	36	50
M36	27	41	50
M42	32	50	55
M48	36	55	60
M65S/M56L	41	65	85
M64	50	75	85
M72	55	80	95
M80	65	90	95
M90	75	100	95



# ACCESSORIES HILTI TOOLS

Hilti's seismic research includes detailed investigation of product performance under simulated seismic conditions and full scale system testing.

This multilevel approach helps to capture the complexity of fastening systems behavior under seismic conditions. Earthquakes can affect a wide range of construction products that Hilti supplies anchors for and NGI are confident that they are the best on the market today. Hilti is pioneering research to extensively test systems for earthquake performance in order to support their customers with recommendations for design applications.



# ACCESSORIES HILTI TOOLS

## PISTOL



HILTI ITEM CODE	DESCRIPTION	ITEM CODE
Kit HDM 500	Injectable mortar dispenser	KitHDM500
Kit HDM 500-A22	Cordless electric dispenser	KitHDE500-A22

## MORTAR



HILTI ITEM CODE	DESCRIPTION	AMOUNT	ITEM CODE
HIT-HY-200-A	Injectable mortar	330ml	HIT-HY-200-A

## STANDARD DRILL BIT



HILTI ITEM CODE	DIMENSIONS	WORKING LENGTH	USE FOR
TE-CX 12/22	12X220	150	M10
TE-CX 14/22	14X220	150	M12
TE-CX 18/32	18X320	250	M16
TE-CX 22/48	22X480	410	M20
TE-CX 28/48	28X480	410	M24

## SAFE-SET DRILL BIT



HILTI ITEM CODE	DIMENSIONS	WORKING LENGTH	USE FOR
TE-CD 12/33	12X330	240	M10
TE-CD 14/37	14X370	240	M12
TE-CD 18/37	18X370	240	M16
TE-YD 22/59	22X590	400	M20
TE-YD 28/59	28X590	400	M24

## INSTALLATION PACK SMALL

FOOTPLATE	ANCHOR SIZE [Metric]	BOLT TYPE	QTY. ANCHORS, DOME-HEADED NUTS & WASHERS	ITEM CODE
HXJCFE150(S)/XHJCFE150(S)	M12x155	HIT-Z-R	4	HIT-Z-R-4M12
HXJE150(S)/XHJSE150(S)	M10x160	HIT-Z-R	3	HIT-Z-R-3M10
HXJE200(S)/XHJSE200(S)	M12x155	HIT-Z-R	4	HIT-Z-R-4M12
HXJE250(S)/XHJSE250(S)	M16x250	HIT-Z-R	4	HIT-Z-R-4M16

## LARGE

HXJCFE300(L)/XHJCFE300(L)	M16x240	HIT-Z-R	4	HIT-Z-R-4M16
HXJE250(L)/XHJSE250(L)	M16x240	HIT-Z-R	3	HIT-Z-R-3M16
HXJE300(L)/XHJSE300(L)	M20x250	HIT-Z-R	4	HIT-Z-R-4M20
HXJE350(L)/XHJSE350(L)	M20x250	HIT-Z-R	6	HIT-Z-R-6M20
HXJE400(L)/XHJSE400(L)	M24x330	HIT-V-R	6	HIT-V-R-6M24

# ACCESSORIES ANCHORS

High-performance anchor rod for injectable hybrid/epoxy anchors (A4 stainless steel).

- Material, corrosion: Stainless steel, A4
- Base materials: Concrete (cracked), Concrete (uncracked), Masonry (solid)
- PROFIS software: Yes



# ACCESSORIES ANCHORS

## ANCHOR HIT-Z-R



TYPE	DRILL DIAMETER DD [mm]	THREAD SIZE TS [MM]	LENGTH L [MM]	SETTING DEPTH (SD) [MM]	TIGHTENING TORQUE F [NM]	REQUIRED MORTAR - PER ANCHOR [ML]	ITEM CODE
M10x160	12	M10	160	120	25	13	HITZRM10x160
M12x155	14	M12	155	120	40	18	HITZRM12x155
M16x205	18	M16	205	170	80	32	HITZRM16x250
M16x240	18	M16	240	190	80	35	HITZRM16x240
M20x250	22	M20	250	210	150	53	HITZRM20x250

## ANCHOR HIT-V-R



TYPE	DRILL DIAMETER DD [mm]	THREAD SIZE TS [MM]	LENGTH L [MM]	SETTING DEPTH (SD) [MM]	TIGHTENING TORQUE F [NM]	REQUIRED MORTAR - PER ANCHOR [ML]	ITEM CODE
M24x330	26	M24	330	285	200	123	HITVRM24x300